

LED STEP LIGHT

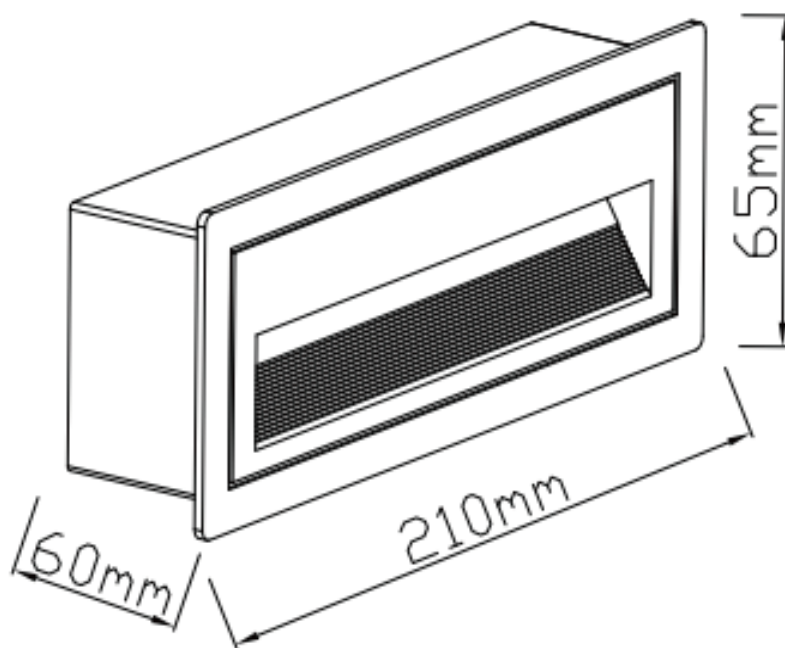
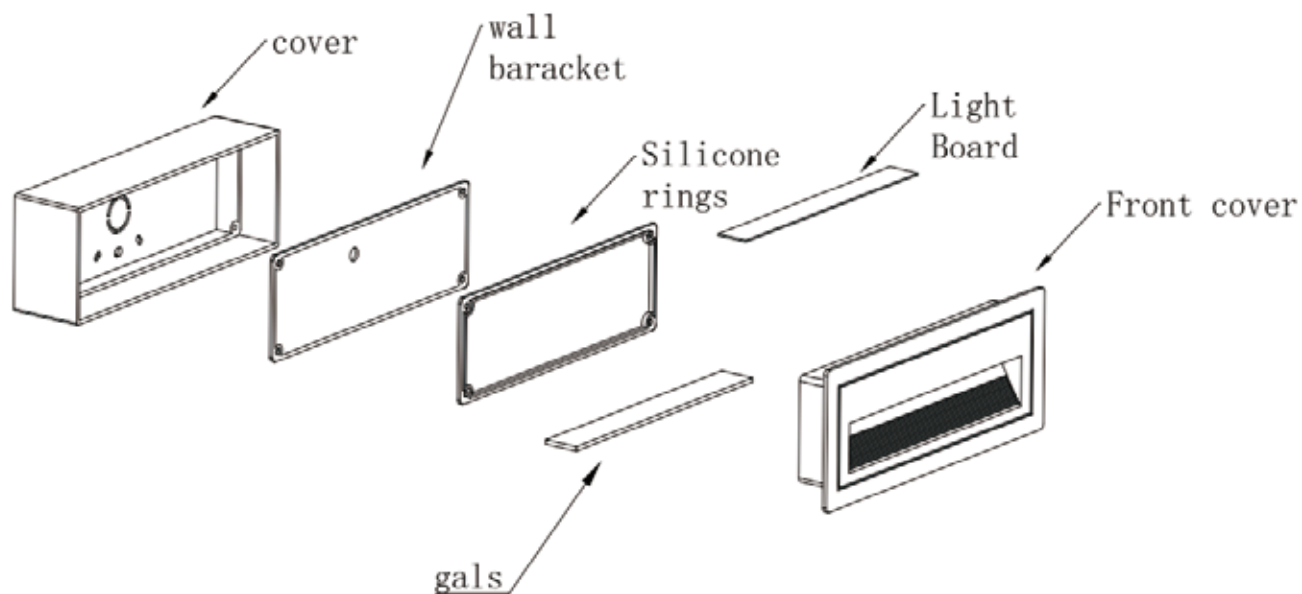


PRODUCT DETAILS



APPLICATIONS





Performance & parameter of product

performance parameter	lamp	warm white	natural white	cool white
	lumen (lm)	40lm	42lm	45lm
	color temperature (K)	3000K	4200K	6500K
	CRI	≥80		
	type of LED	DOB		
	beam angle	270 °		
	decay rate (%)	less than 3% within 1000 working hours		
	total power (W)	6W		
	lifespan (Hrs)	≥30000Hrs		
	high voltage testing	3750Vac/1min		
LED parameter	lighting efficiency	7Lm/W		
	chip quantity			
	series-parallel way	5B6C		
	voltage			
	current			
driver parameter	input parameter	100-220V, 50/60Hz		
	power factor	0.5		
	output parameter	230MA±5% 30-80V		
structure parameter	material	AL+PP		
	dimension	210X60X65mm		
	cut-out	200*52		
	protection class	calss I		
	IP	IP65		
environment parameter	application	hotel、home-lighting、recreation place、supermarket、office building		
	operating temperature	-25°C ~ 50°C、10% ~ 90% R.H.		
	storage temperature	-30°C ~ 85°C、0% ~ 95% R.H.		

INSTALLATION INSTRUCTIONS:

1. Kill the power switch.
2. Drill the corresponding hole in figure 1 where the lamp is to be installed.
3. Press figure 2 to insert the pellets and install the wall mount.
4. Install the wall lamp base as shown in figure 3.
The LED driver input is connected to the mains supply (110V-220V).
5. Put on the housing and clamp it tight.
6. After checking, switch on the power supply and use it.

