

# LED SOLAR LIGHT



**2 year**  
warranty



SOLAR POST CAP LIGHT	
Model:	SL1919
Power:	2W
Dimension:	163x140x140mm
Material:	Aluminum

SOLAR WALL LIGHT	
Model:	SL1903
Power:	2W
Dimension:	290x140x140mm
Material:	Aluminum

SOLAR LANDSCAPE LIGHT	
Model:	SL1904
Power:	2W
Dimension:	500x140x140mm
Material:	Aluminum

## PRODUCT DETAILS



- Material: Cast-Aluminium, high quality
- Monocrystalline silicon glass 5.5V 3W efficiency up to 19.2%
- 18650 lithium battery, 3.7V 2600mAh, 30000Hrs lifespan



## APPLICATIONS



Search **oteshen lighting** to follow us:

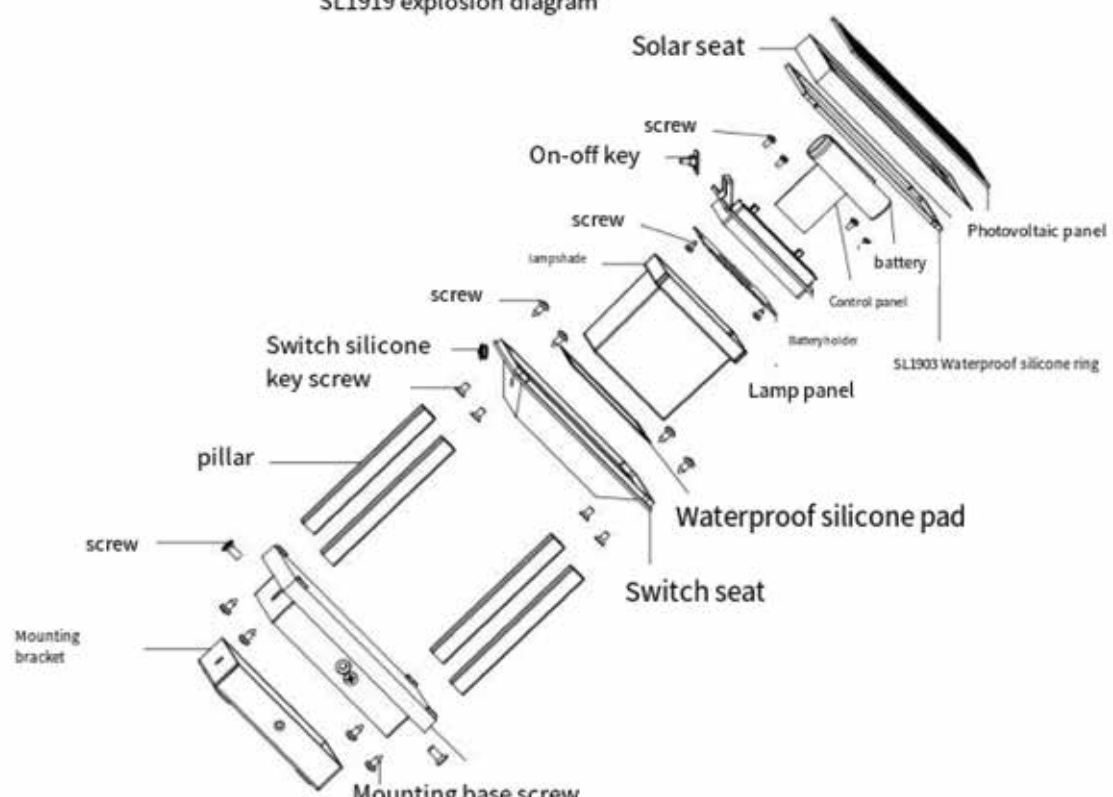


Scan the catalogue for more products:

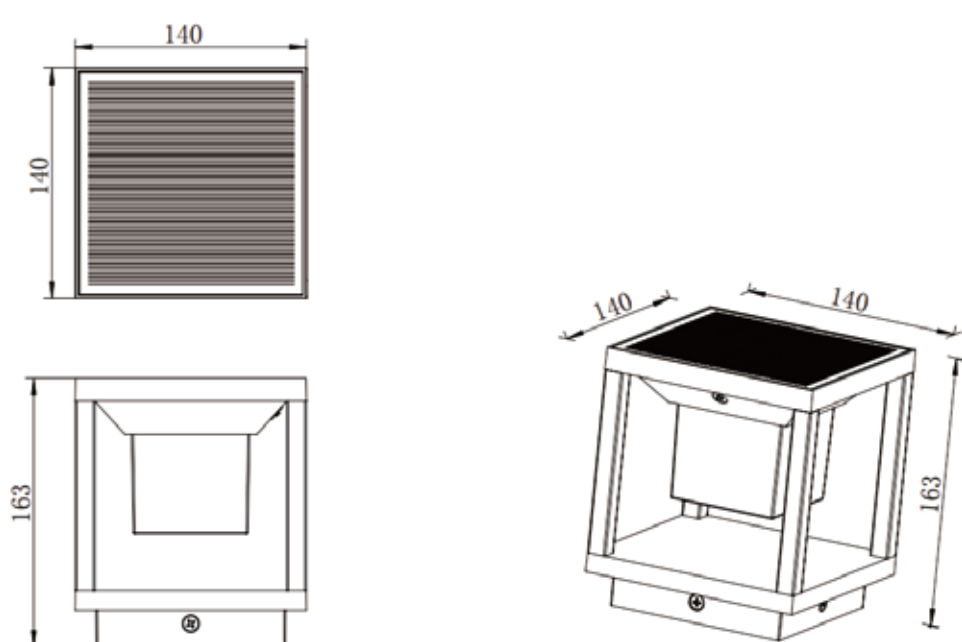


<http://www.oteshen.com>

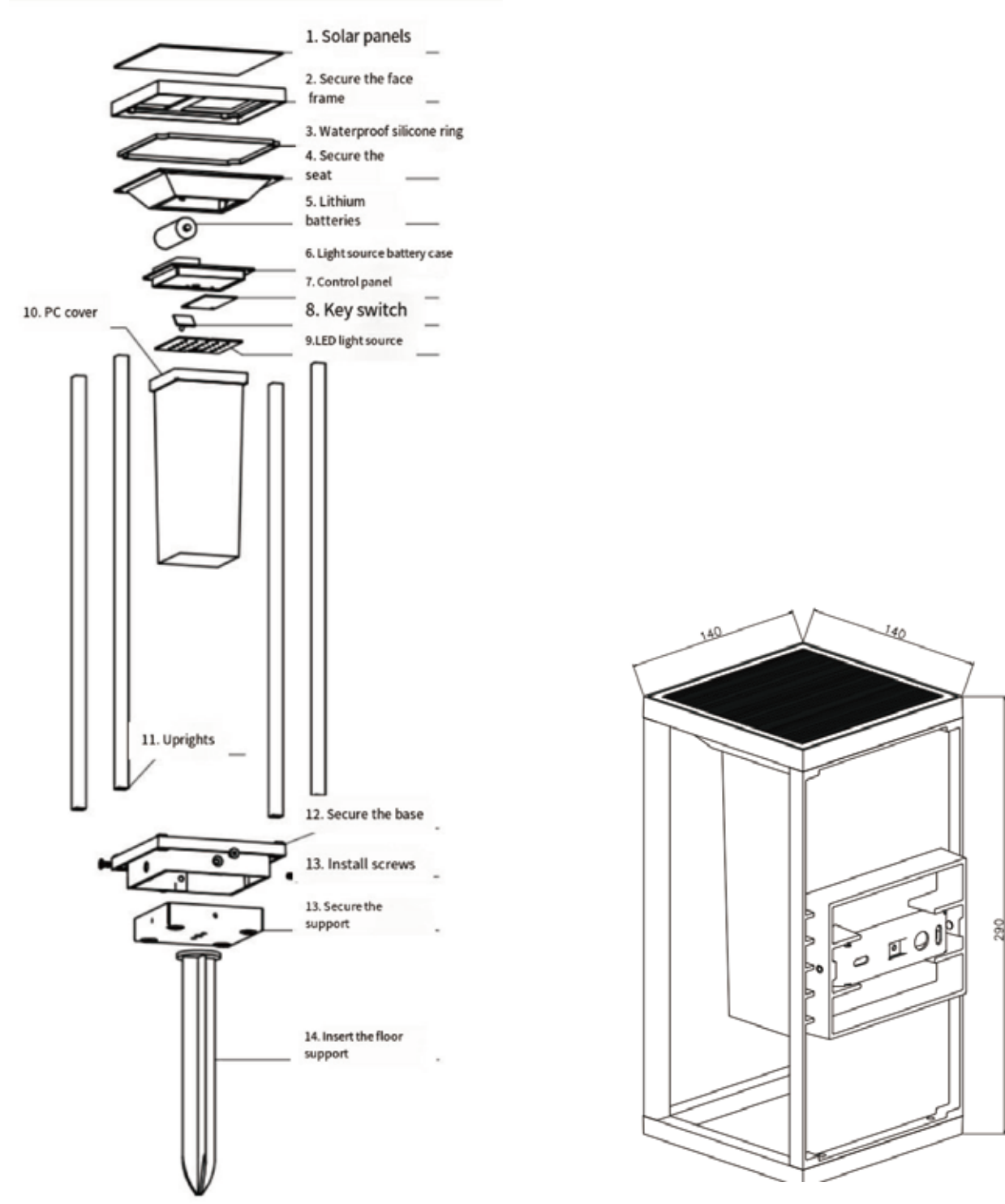
SL1919 explosion diagram



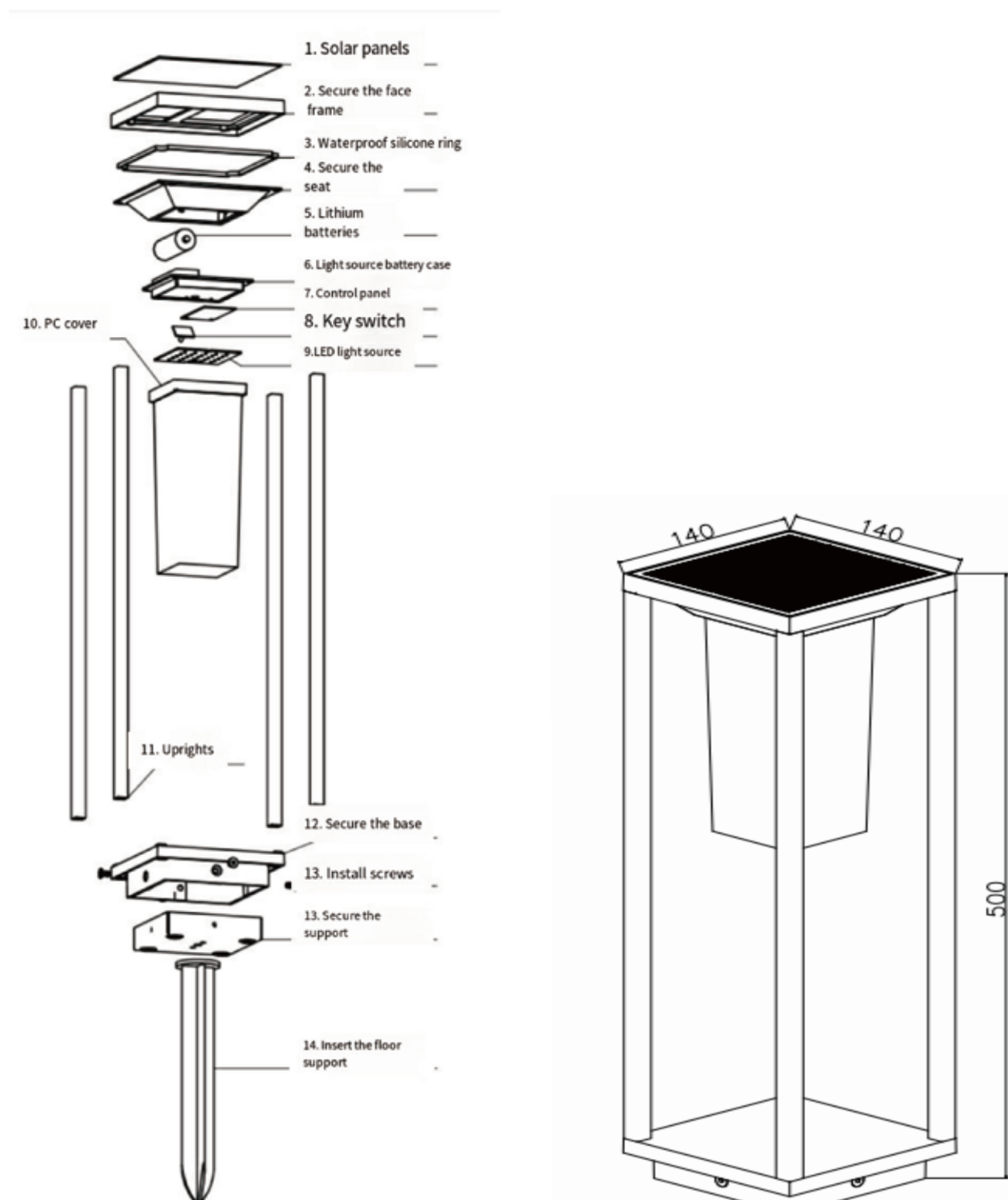
SL1919线条图



SL1903

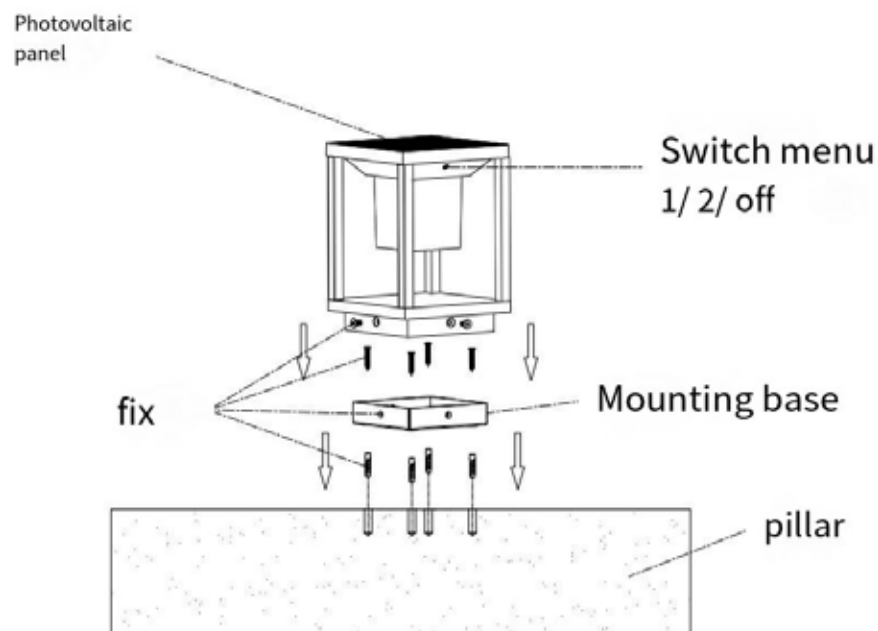


SL1904



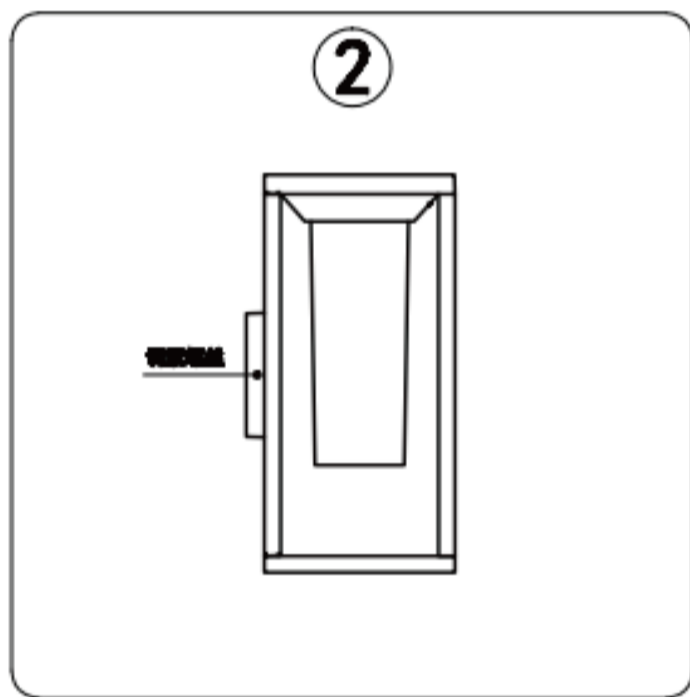
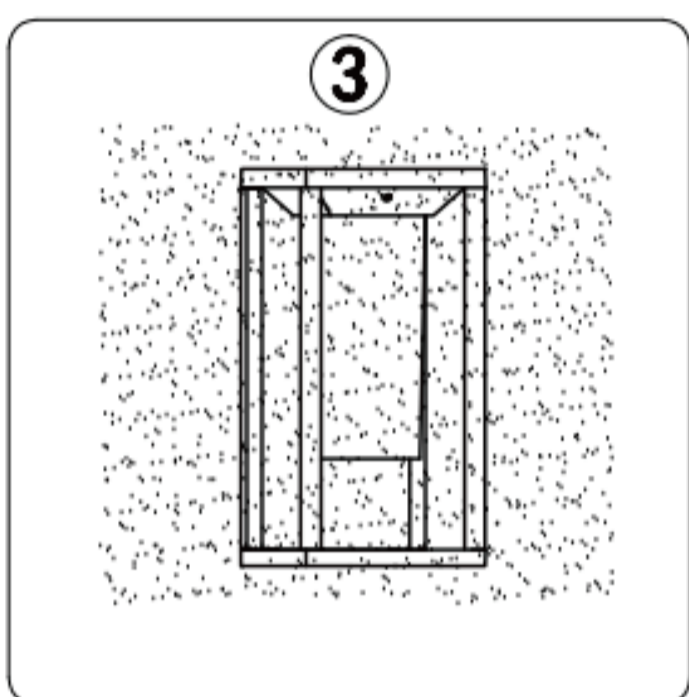
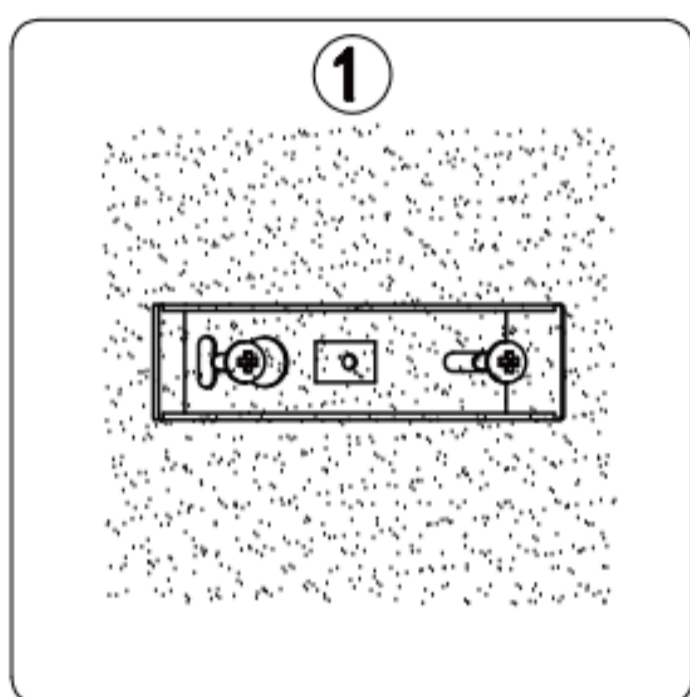
# Performance & parameter of product

	Model No.	SL1919			SL1903			SL1904		
	light source	Warm white	Natural White	Cold white	Warm white	Natural White	Cold white	Warm white	Natural White	Cold white
performance parameter	Luminous flux (lm)	95	100	120	220	220	220	270	270	270
	CCT (K)	3000K	4200K	6500K	3000K	4200K	6500K	3000K	4200K	6500K
	Photosensitivity	< 7Lux light on			< 7Lux light on			< 7Lux light on		
	CRI	≥80			≥80			≥80		
	LED type	SMD LED			SMD LED			SMD LED		
	Beam angle	120°			172.5°			120°		
	Light decay rate (%)	No more than 3% in 1000 hours			No more than 3% in 1000 hours			No more than 3% in 1000 hours		
	Total power consumption of lamps (W)	2W			2W			2W		
	Lifespan (Hrs)	≥26000Hrs			≥26000Hrs			≥26000Hrs		
	Light source parameters	Lighting effect	48.5LM/W			110LM/W			135LM/W	
Lamp bead string and method		1B50C 50PCS			1B50C 50PCS			1B50C 50PCS		
Electrical parameters		3-3.3VDC 600mA			3-3.3VDC 600mA			3-3.3VDC 600mA		
Power parameters	Solar panel model	Monocrystalline silicon glass laminate			Monocrystalline silicon glass laminate			Monocrystalline silicon glass laminate		
	Solar Panel Parameter	5.5V 3W			5.5V 3W			5.5V 3W		
	Control board input voltage	≤4.2VDC			≤4.2VDC			≤4.2VDC		
	Control board output voltage	2.8-3.3VDC			2.8-3.3VDC			2.8-3.3VDC		
	Control board output current	600 mA			600 mA			600 mA		
	Battery type	18650 Li-ion battery			18650 Li-ion battery			18650 Li-ion battery		
	Battery parameters	3.7V 2600mAh			3.7V 2600mAh			3.7V 2600mAh		
	Charge and discharge times	500 times			500 times			500 times		
Structural parameters	Material	aluminum			aluminum			aluminum		
	Dimensions	163*140*140mm			290*140*140mm			500*140*140mm		
	Protection class (IP)	IP65			IP65			IP65		
Environmental parameters	Use place	outdoor			outdoor			outdoor		
	Working temperature & humidity	-25°C ~ 50°C, 10% ~ 90% R.H.			-25°C ~ 50°C, 10% ~ 90% R.H.			-25°C ~ 50°C, 10% ~ 90% R.H.		
	Storage Temperature & Humidity	-25°C ~ 40°C, 0% ~ 95% R.H.			-25°C ~ 40°C, 0% ~ 95% R.H.			-25°C ~ 40°C, 0% ~ 95% R.H.		



### Installation instructions

1. After determining the installation position, drill two holes in the wall, and then drive the wall pellets into the holes.
2. the round head tapping screw into the wall pellets, do not screw to the end, the screw head from the wall about 2-3mm. If the installation wall is wood or soft material, you can not enter the wall pellets, directly screw into the wall material
3. Align the mounting base hole with the wall and insert the two screws into it, and then tighten the base as shown in Figure 1.
4. the lamp set on the installed base, can be used.



### SL1904 Instruction manual

### Installation instructions

1. After determining the installation position, fix the ground support with screws. Figure 1
2. Put the lamp into the fixed ground insert bracket and tighten the screws with a six-legged wrench, which can be used as shown in Figure 2 and 3.

