

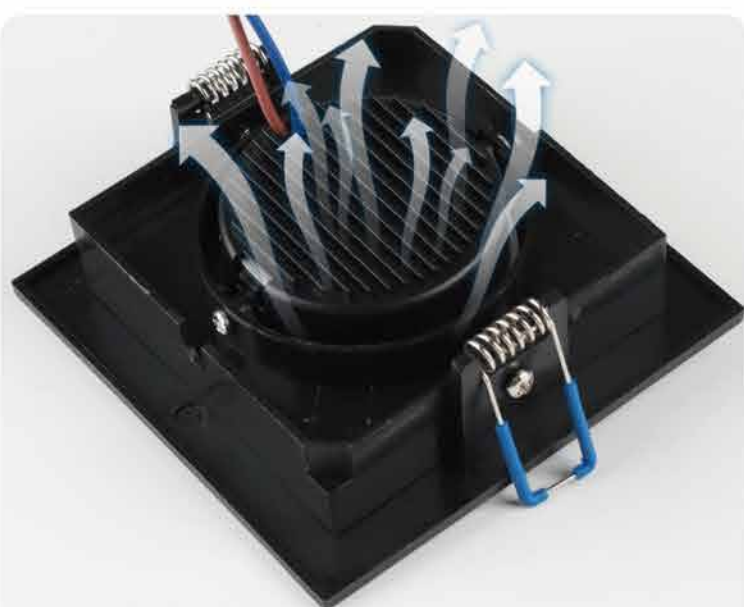


LED DOWNLIGHT

2 year warranty



PRODUCT DETAILS



Good Heat Dissipation



New lense, More Focus

APPLICATIONS



Search **oteshen lighting** to follow us:

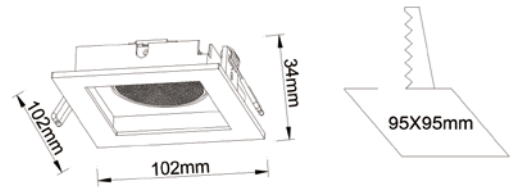
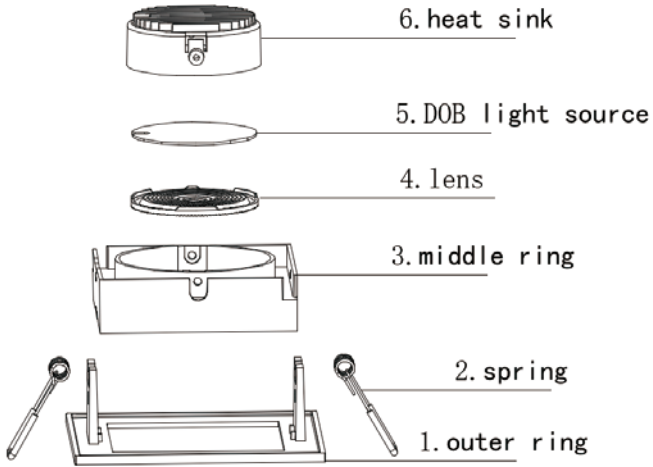


Scan the catalogue for more products:

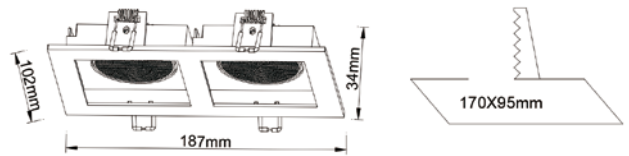
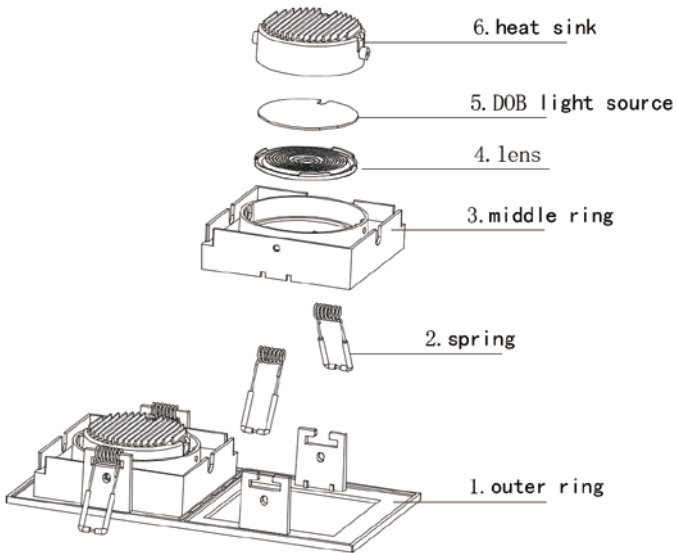


<http://www.oteshen.com>

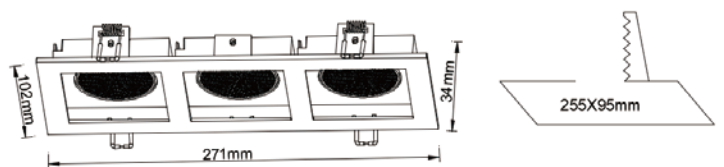
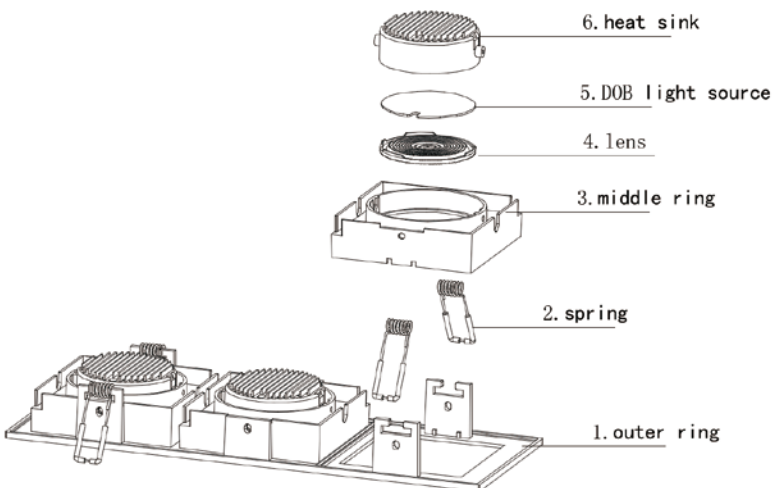
Structure & size



Model No.L6430C-5



Model No.L6430C-10



Model No.L6430C-15

Performance & parameter of product

	Model No.	L6430C-5			L6430C-10			L6430C-15		
	lamp	warm white	natural white	cool white	warm white	natural white	cool white	warm white	natural white	cool white
performance parameter	lumen (lm)	380 lm	452 lm	427lm	830 lm	850 lm	870 lm	1200 lm	1250lm	1275lm
	color temperature (K)	3000K	4200K	6500K	3000K	4200K	6500K	3000K	4200K	6500K
	CRI	≥80			≥80			≥80		
	type of LED	SMD LED			SMD LED			SMD LED		
	beam angle	53 °			55 °			55 °		
	decay rate (%)	1000 hours no more than 3%			1000 hours no more than 3%			1000 hours no more than 3%		
	total power (W)	4.5-5.5W			4.5-5.5W			4.5-5.5W		
	lifespan (Hrs)	≥30000Hrs			≥30000Hrs			≥30000Hrs		
	high voltage testing	1500Vac/1min			1500Vac/1min			1500Vac/1min		
	LED parameter	lighting efficiency	85LM/W			85LM/W			85LM/W	
chip quantity		5pcs			5*2pcs			5*3pcs		
series-parallel way		5C1B			5C1B			5C1B		
voltage		45V			45V			45V		
current		100mA			100mA			100mA		
driver parameter	input parameter	100 ~ 240VAC, 100mA 50/60Hz			100 ~ 240VAC, 100mA 50/60Hz			100 ~ 240VAC, 100mA 50/60Hz		
	power factor	0.5			0.5			0.5		
	output parameter	45V 100mA			90V 100mA			135V 100mA		
structure parameter	material	PC			PC			PC		
	dimension	102*102*34mm			187*102*34mm			271*102*34mm		
	cut-out	95*95mm			170*95mm			255*95mm		
	protection class	calss II			calss II			calss II		
	IP	IP20			IP20			IP20		

Installation instructions

Installation instructions:

1. Switch off the power.
2. Ensure that the void depth is a minimum of 90mm, the thickness of ceiling is a maximum of 20mm. (see below pic. 1)
3. Cut a hole using an appropriate tool according to the cut-out. (see below pic.2)
4. Connect the wire of the driver to mains(110V-220V) in a correct way, and put the driver into the ceiling properly. (see below pic.3)
5. Push the spring clips upwards and fit into ceiling hole(see below pic.4), ensure the product is sitting properly in hole.
6. Switch on the power if above steps done properly without any mistakes.

