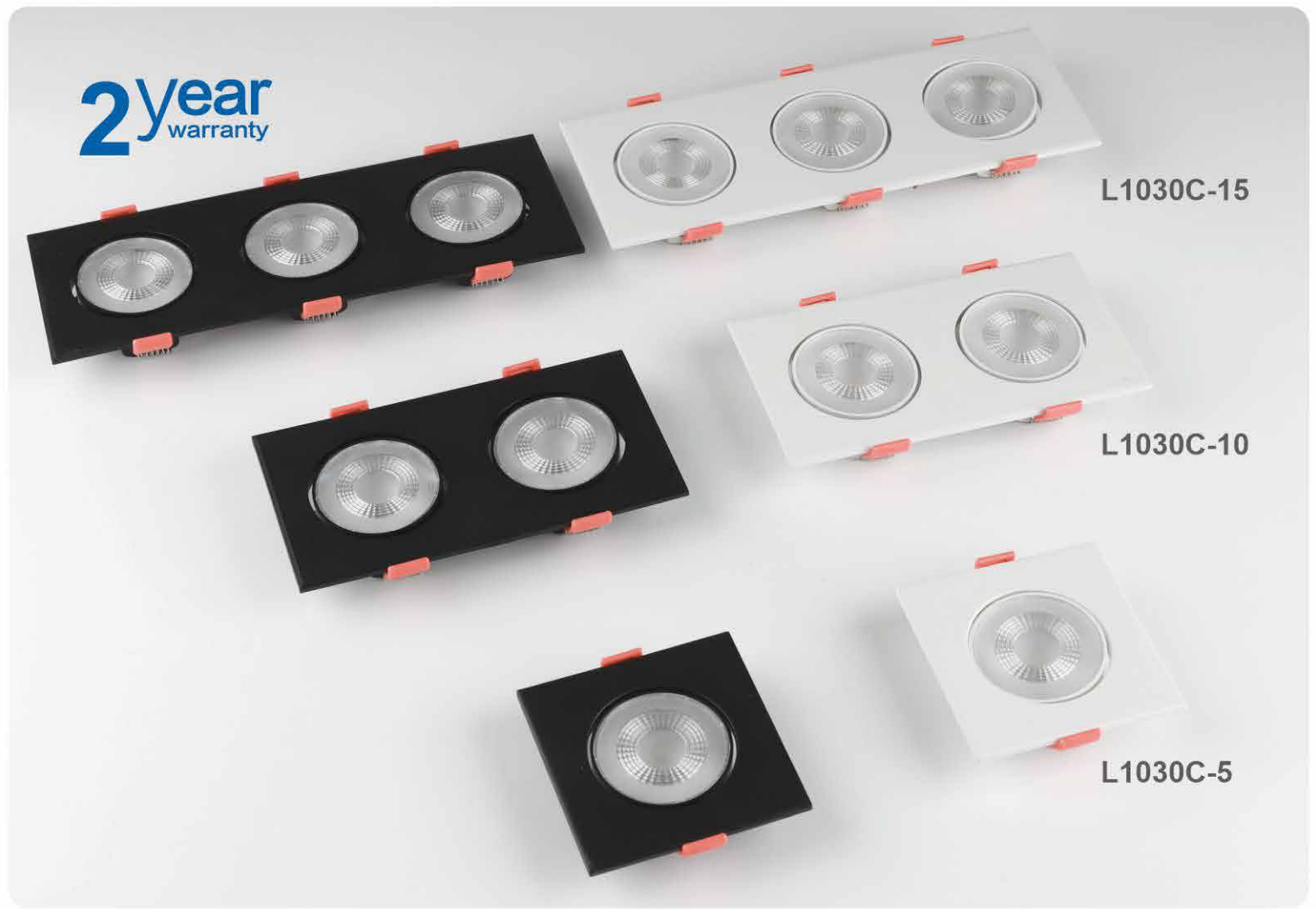


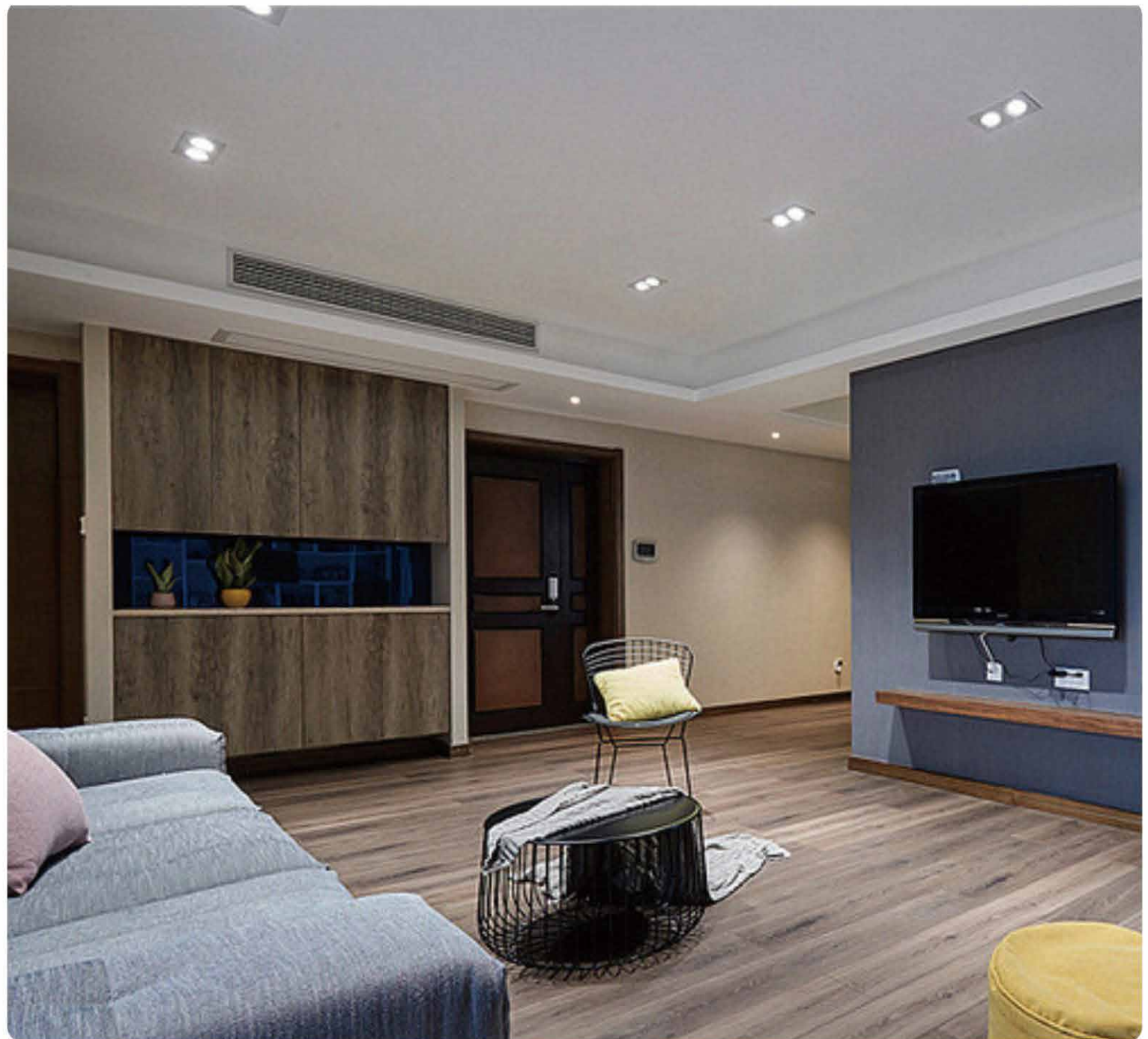
LED DOWNLIGHT



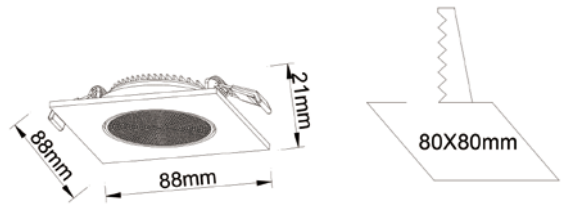
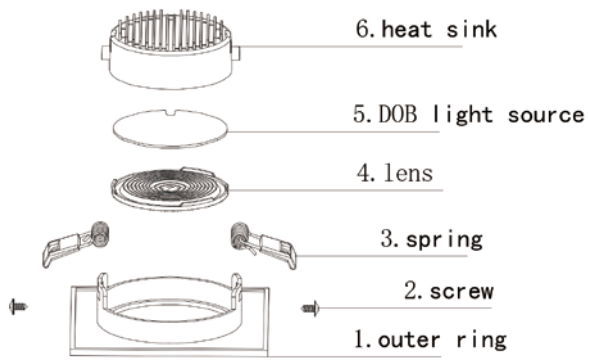
PRODUCT DETAILS



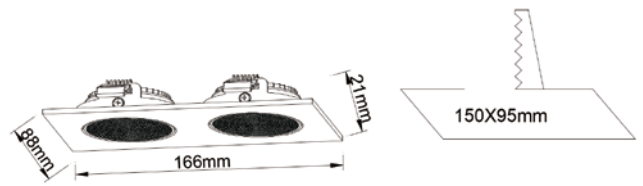
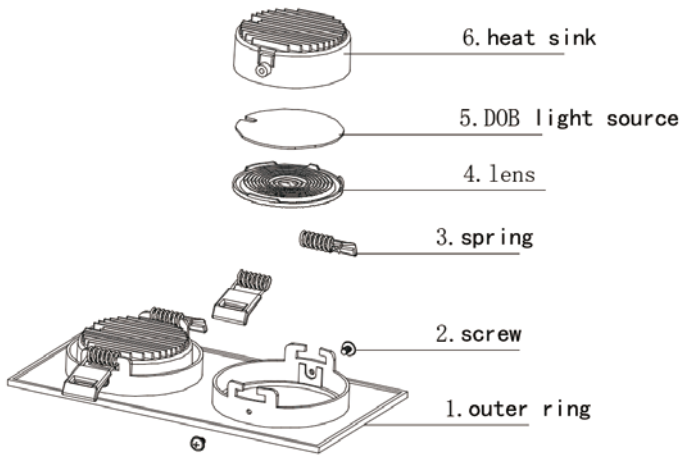
APPLICATIONS



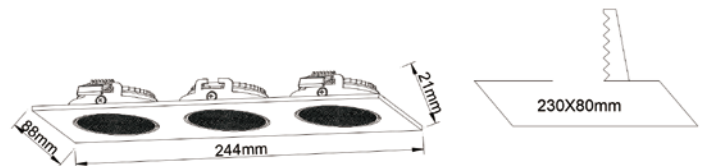
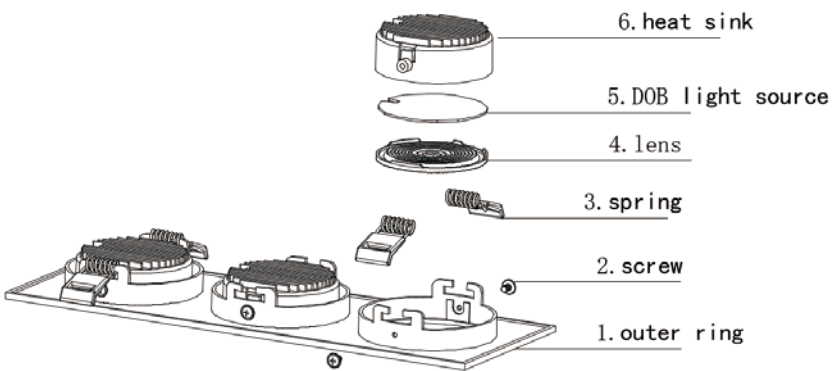
Structure & size



Model No.L1030C-5



Model No.L1030C-10



Model No.L1030C-15

Performance & parameter of product

	Model No.	L6430C-5			L6430C-10			L6430C-15			
	lamp	warm white	natural white	cool white	warm white	natural white	cool white	warm white	natural white	cool white	
performance parameter	lumen (lm)	434 lm	452 lm	471 lm	868 lm	904 lm	942 lm	1302 lm	1356 lm	1413 lm	
	color temperature (K)	3000K	4200K	6500K	3000K	4200K	6500K	3000K	4200K	6500K	
	CRI	≥80			≥80			≥80			
	type of LED	SMD LED			SMD LED			SMD LED			
	beam angle	43 °			43 °			43 °			
	decay rate (%)	1000 hours no more than 3%			1000 hours no more than 3%			1000 hours no more than 3%			
	total power (W)	4.5-5.5W			4.5-5.5W			4.5-5.5W			
	lifespan (Hrs)	≥30000Hrs			≥30000Hrs			≥30000Hrs			
	high voltage testing	1500Vac/1min			1500Vac/1min			1500Vac/1min			
	LED parameter	lighting efficiency	85LM/W			85LM/W			85LM/W		
		chip quantity	5pcs			5*2pcs			5*3pcs		
series-parallel way		5C1B			5C1B			5C1B			
voltage		45V			45V			45V			
current		100mA			100mA			100mA			
driver parameter	input parameter	100 ~ 240VAC, 100mA 50/60Hz			100 ~ 240VAC, 100mA 50/60Hz			100 ~ 240VAC, 100mA 50/60Hz			
	power factor	0.5			0.5			0.5			
	output parameter	45V 100mA			90V 100mA			135V 100mA			
structure parameter	material	PC			PC			PC			
	dimension	88*88*21mm			166*88*21mm			244*88*21mm			
	cut-out	80*80mm			150*80mm			230*80mm			
	protection class	calss II			calss II			calss II			
	IP	IP20			IP20			IP20			

Installation instructions

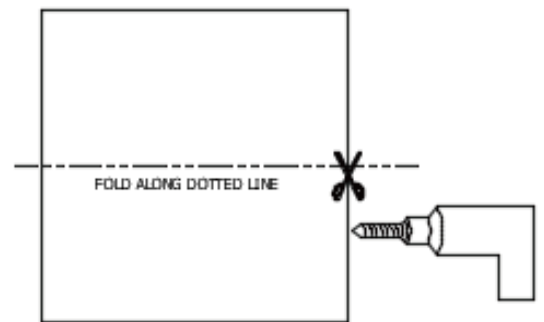
Installation instructions:

1. Switch off the power.
2. Ensure that the void depth is a minimum of 90mm, the thickness of ceiling is a maximum of 20mm (see below pic. 1)
3. Cut a hole using an appropriate tool according to the cut-out. (see below pic.2)
4. Connect the wire of the driver to mains (110V-220V) in a correct way, and put the driver into the ceiling properly. (see below pic.3)
5. Push the spring clips upwards and fit into ceiling hole (see below pic. 4), ensure the product is sitting properly in hole.
6. Switch on the power if above steps done properly without any mistakes.

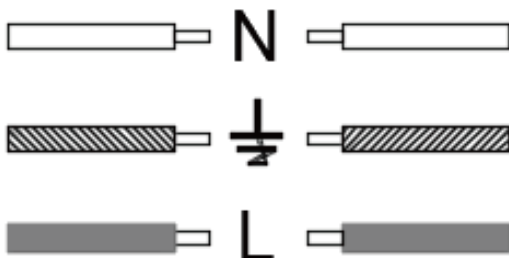
1



2



3



4

